

# Safety Light Curtains

## SB\*2-30 Series

**CARLO GAVAZZI**



- Safety Category 2 according to EN 61496-1 and /-2
- Hand resolution
- Self-monitoring
- Failure alarm / diagnosis by LED
- Quick installation and alignment
- Compact profile
- Approval:



### Product Description

Safety category 2 light curtains, according to EN 61496-1 /-2.

SB\*2-30 series is featured by 30 mm resolution for protecting hands. Self-monitoring is integrated and controls operating status of safety outputs every 0,5 s. SB\*2-30 series can be provided with manual or automatic START depend-

ing on the version and with 2 PNP safety outputs. These safety light curtains can be used together with NL control module series over a large variety of industrial applications and wherever a compact and reliable safety device is required.

### Ordering Key

**SBA2-30/334-D15**

Safety Light Curtains \_\_\_\_\_  
 Start mode \_\_\_\_\_  
 Safety Category \_\_\_\_\_  
 Resolution \_\_\_\_\_  
 Protected height \_\_\_\_\_  
 Operating distance \_\_\_\_\_

### Type Selection

Protected height	Response time (ms)	Number of beams	Overall height h (mm)	Ordering no. Automatic START	Ordering no. Manual START
187	14	8	227	SBA2-30/187-D15	SBM2-30/187-D15
334	15	16	374	SBA2-30/334-D15	SBM2-30/334-D15
481	16	24	521	SBA2-30/481-D15	SBM2-30/481-D15
628	17	32	668	SBA2-30/628-D15	SBM2-30/628-D15
775	18	40	815	SBA2-30/775-D15	SBM2-30/775-D15
922	19	48	962	SBA2-30/922-D15	SBM2-30/922-D15
1069	20	56	1109	SBA2-30/1069-D15	SBM2-30/1069-D15
1216	22	64	1256	SBA2-30/1216-D15	SBM2-30/1216-D15
1363	23	72	1403	SBA2-30/1363-D15	SBM2-30/1363-D15
1510	24	80	1550	SBA2-30/1510-D15	SBM2-30/1510-D15

### General Specifications

Resolution	30 mm	START mode	Automatic or Manual (see type selection tab.)
Operating distance	0,2 ÷ 15 m	Response time	See type selection tab.

## Electrical Specifications

Power supply	24 Vac $\pm$ 20%	Light emission	Infrared (880 nm)
Emitter consumption	70 mA max	Output function	2 PNP
Receiver consumption	100 mA max	Output current	0.5 A max (single output)

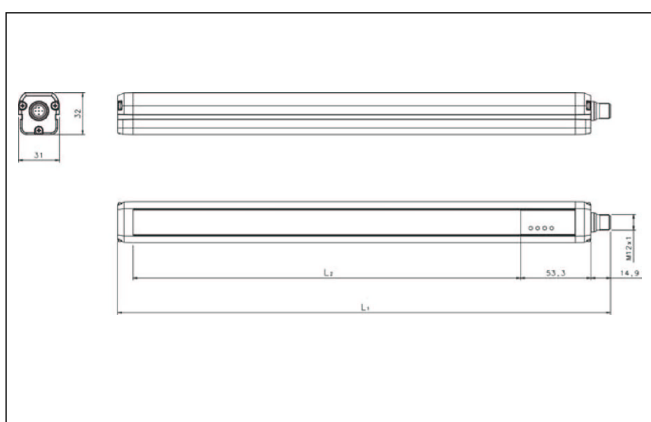
## Environmental Specifications

Operating temperature	0 $\div$ + 55°C	Storage temperature	-25 $\div$ + 70°C
-----------------------	-----------------	---------------------	-------------------

## Mechanical Specifications

Receiver connection	M 12 5-poles connector Standard cable length 3, 5 or 10 m	Protection degree	IP 65
Emitter connection	M 12 4-poles connector Standard cable length 3, 5 or 10 m	Housing material	Painted aluminium (yellow Ral 1028)
		Weight	1.2 Kg max/m of total height

## Dimensions



## Wiring Diagrams

