

# CMC10L

## Communication Controller RS-232C/RS-485 Converter

The CMC10L Communication Controller converts RS-232C communications to RS-485 communications.

The RS-232C port of a host computer is converted to an RS-485 port, allowing the connection of a maximum of 31 digital indicating controllers. A coupling mount is possible with a module type DMC10 controller.



CONVERTERS

### Specifications

Communications	RS-232C/485 common	Transmission mode	Half duplex
		Synchronization	Start/stop synchronization
		Transmission speed	38400/19200/9600/4800/2400/1200/600/300bps
	RS-232C	Frame length	9 to 15 bits
		Transmission line system	Non-equilibrium type
		Transmission distance	15m max.
	RS-485	Connection type	1:1
Transmission line system		Equilibrium type (RS-485 equivalent, 3-wire type)	
Transmission distance		500m max.	
General	Connection type		1:N (31 units max.), bus line connection
	Rated power (when 24Vdc terminals are used)		24Vdc
	Rated power (when AC adapter is used)		100Vac (50/60Hz)
	Power consumption		2.0W (under operating conditions)
	Ambient temperature		0 to 50°C
	Ambient humidity		30 to 90% RH
Mounting		Screen & DIN rail mounting	
Mass		Approx. 150g	

### Selection Guide

Model No.	Description
CMC10L001A000	RS-232C/RS-485 converter

### Accessories (sold separately)

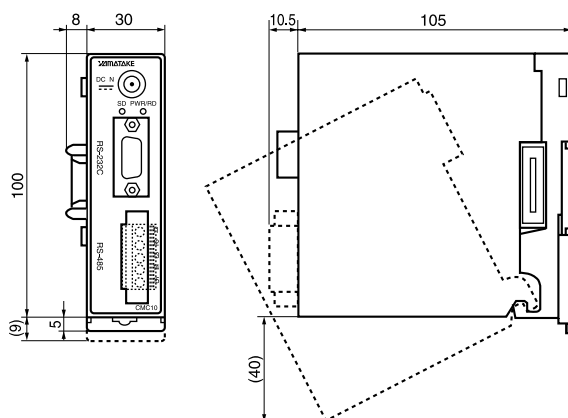
Model No.	Description
81446748-001	AC Adapter
81440792-001*	RS-485 Connector (4 units per box)

\* Equivalent to MSTB 2.5/5-STF-5.08AV by Phoenix Contact

### Dimensions

(Unit: mm)

#### • DIN rail mounting



#### • Screw mounting

